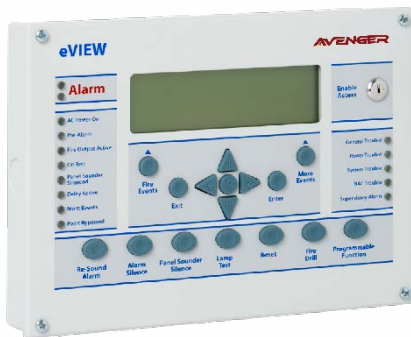


eVIEW

Analog Addressable Serial Annunciator

AS1172-xx

where xx = 10 for Red & 40 for Gray



Standard Features

- Available in Red or Gray
- Up to 15 annunciators can be connected to each Supreme or Supreme RS fire control panel Large liquid crystal display (240 x 64 pixels)
- High brightness LED indications
- Internal sounder
- Replicates all panel controls (Supreme / Supreme RS)
- Simple, two-wire serial connection
- Small, Supreme style enclosure
- Removable electronics for easy installation
- 24V DC powered
- Low power consumption
- Multi language options
- Connection supervised by Supreme / Supreme RS fire control panel
- Recess mounting using optional AS1173 kit

Product Overview

Designed and manufactured to the highest standards in a quality controlled environment the eVIEW fire alarm annunciator provides a simple and convenient method of extending the controls and indications of the Supreme fire alarm control panel to other locations.

The large, graphic liquid crystal display and high brightness LED indicators duplicate the indications on the Supreme fire alarm control panel at up to 15 additional locations via a simple, two-wire serial data connection.

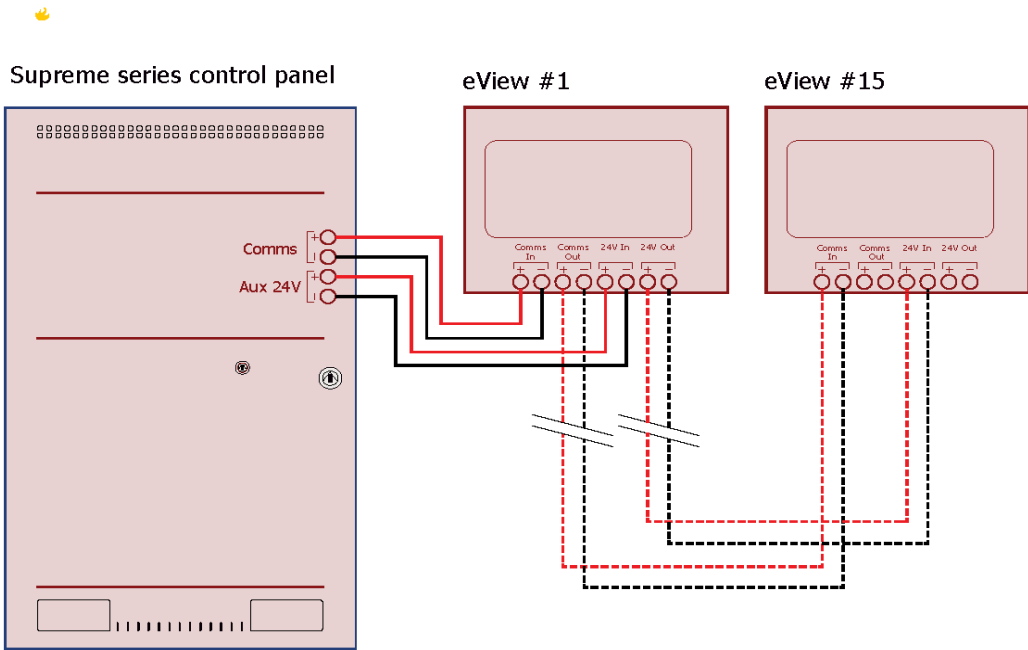
The eVIEW is powered by 24V DC (which can be via an additional 2 conductors from the control panel or local 24V DC listed supply).

eVIEW is housed in a small enclosure which is styled similarly to the Supreme control panel and is ideal for installations where a large control panel would be detrimental to décor such as entrance halls.

Up to 15 eVIEW annunciators can be connected to each control panel on the Supreme network making eVIEW ideal where multiple points of indication and/or control are required such as nurses stations or shop units.

Technical Specifications

Construction: 18AWG sheet steel
Cable entry: 4 knockouts in back of box and 1 in left and right sides
Dimensions: 10.4"W x 7.5"H x 1.6"D
Weight: 3.5 lbs
Finish : RAL3002 (Red) or BS 00 A 05 (Gray)
24V supply: 21 to 30V DC
Current Draw - Standby: 20mA @ 24VDC
Current Draw - Alarm: 110mA @ 24VDC
Display: 8 line x 40 character LCD (320 characters total)
Serial data connection: 2 core RS485 (Up to 3937 feet total cable length)
Maximum terminal capacity: 12AWG
Operating Temperature Range: 32° F (0° C) 120° F (49° C)
Relative Humidity: 85% RH Non-Condensing



The Avenger trim ring allows the eVIEW annunciator to easily be recess mounted. Avenger trim rings provides placement tabs that fold behind dry wall. Traditional screw mounting is available by 2 openings in each of the vertical frames. Conduit entry is not blocked by trim ring.

Trim Ring Technical Specifications

Part number: AS1173-xx
Outer Dimensions: 11.3" W x 8.6" H x 1.3" D
Inner Dimensions: 10.3" W x 7.4"
Color: Available in Red (VF1173-10) or Gray (VF1173-40)